

Mounting Plate Attachment

Decorative Porch Column Installation Instructions

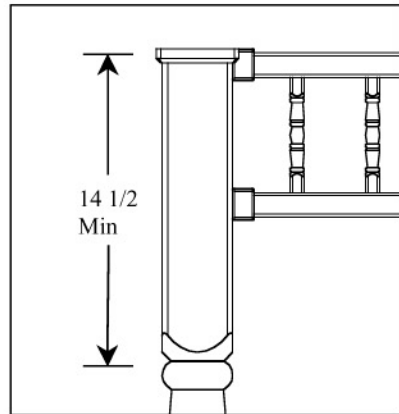
Step 1) Measure the height of your opening. The post and aluminum support tube will need to be $13/32$ shorter than the opening to allow for the mounting plates. Make sure that the porch column and support tube are cut the same length and that the cuts are square! Always double-check your length requirements before cutting!

Step 2) The bottom end is long enough to allow for 42 railing. You may cut 6 off this end for a 36 railing. Then, shorten the remainder from the top if necessary. If using a Gingerbread Spindle system on top section plan ahead before cutting the column! (See Note)

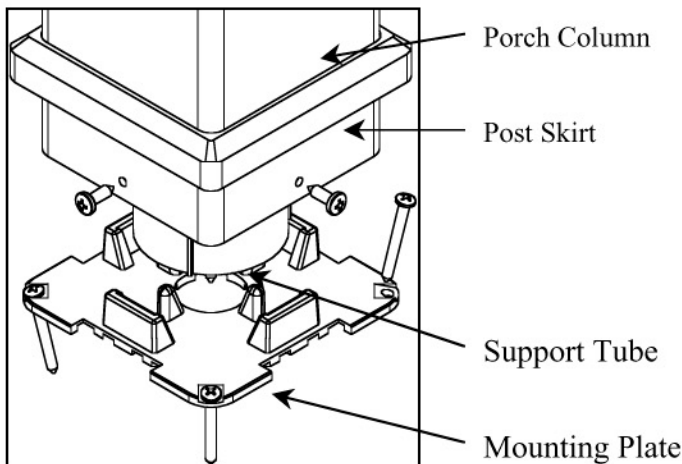
Step 3) Slide post skirts over the ends of the porch column. Attach the porch column to the mounting plates as shown. (Screws not provided)

Step 4) Install porch columns by securing the mounting plates to the deck surface and roof structure. Use non-corrosive fasteners to secure the mounting plates. After attaching the mounting plates, slide post skirts over the mounting plates and snap into place.

Note: Leave adequate length on the upper portion of the porch column if using Gingerbread Spindles or scrollwork. (Refer to Gingerbread Railing Instruction sheet)



Gingerbread Attachment




Royal Building Products
Where Great Ideas Take Shape

91 Royal Group Crescent
Woodbridge, Ontario, Canada L4H 1X9