

TRIM ESSENTIALS

BY GENTEK

INSTALLING TRIM ESSENTIALS™ BY GENTEK DESIGNER ACCESSORIES

TrimEssentials by Gentek designer accessories are designed to provide the look of handcrafted beauty. But to achieve that goal, you have to take care during installation. Of course, taking care doesn't mean TrimEssentials by Gentek accessories are hard to install. In fact, just the opposite is true. You can install all components by following a few simple steps.

INSTALLING WINDOW AND DOOR SURROUNDS

Install finish trim.

Measure height and width of window opening. (For door installations, omit instructions that refer to bottom surround.) Subtract 1/4" from each piece to allow for expansion, then cut.

Nail horizontal finish trim in place, leaving a 1/8" expansion gap at each end. Nail 8" to 10" on center.

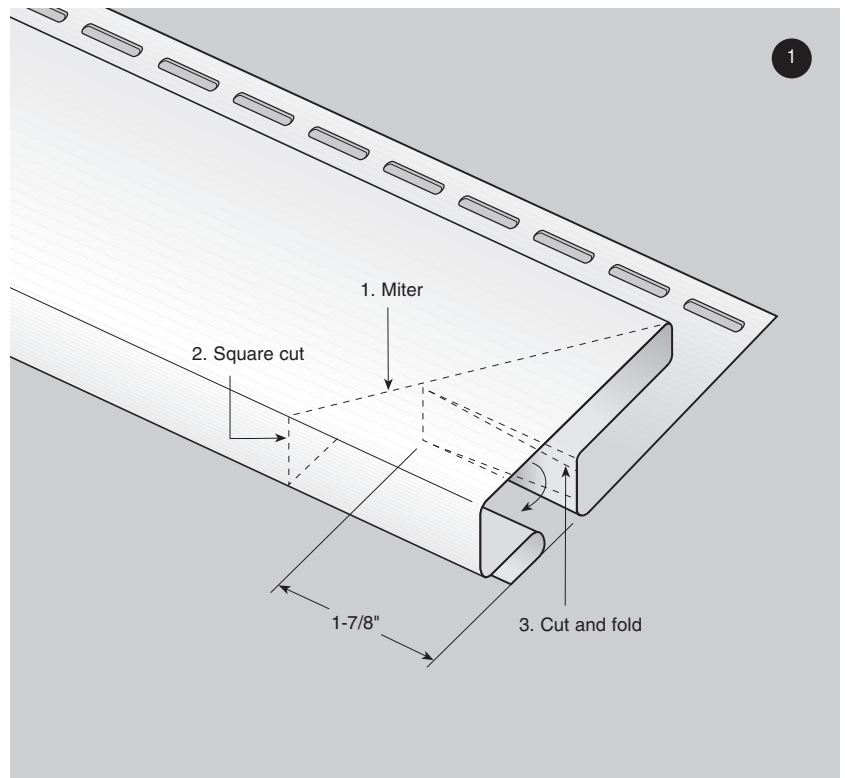
Nail vertical finish trim in place, again leaving a 1/8" expansion gap at top and bottom. Place the first nail at the uppermost point of the top nailing slot. Finish by working from top down, centering nails in slots every 8" to 10".

Cut and form the header. Measure the window width, then add an allowance for the side surrounds—for example, 7" if you're using 3-1/2" surrounds. Mark this dimension on the header surround and cut.

For maximum visual appeal, use miter cuts at joints. To miter right side of header, make cuts 1, 2 and 3—in that order—as shown in Figure 1. The nail hem should be to the right when making these cuts.

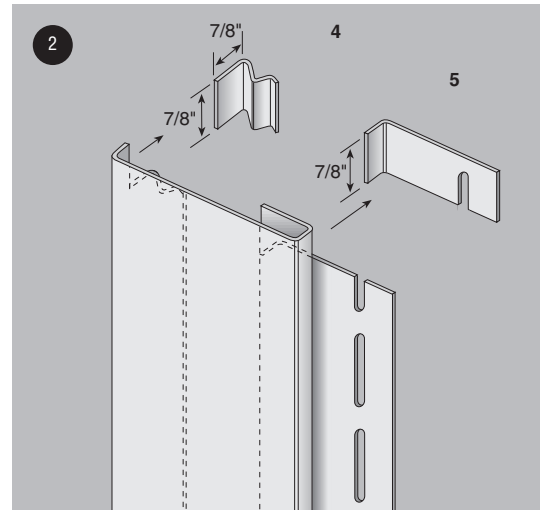
The first cut forms the 45° miter. Use a combination square to mark the cut line accurately.

The second cut squares off the lower channel. The third cut creates a tab to allow water runoff. Repeat the process to miter the left end, holding the nail hem to the left as you make the cuts.

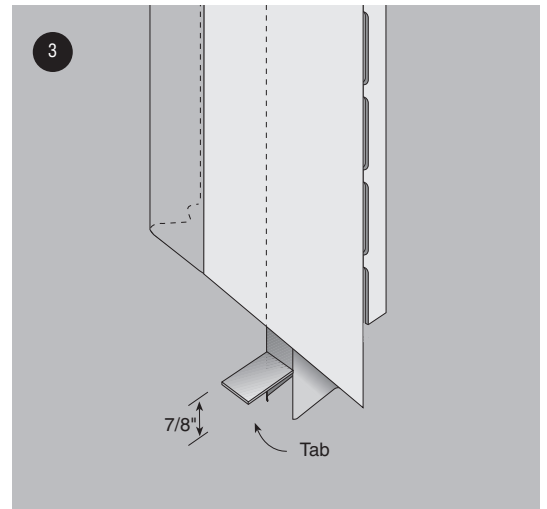


Measure and cut side surrounds. Measure the window height. Again, add an allowance for both the header and lower surrounds. Mark this dimension on both side surrounds and cut to length.

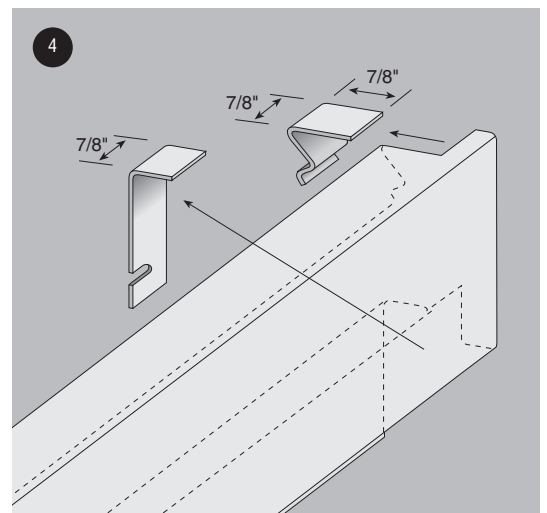
To complete the tops of the surrounds, make cuts 4 and 5, as shown in Figure 2. These cuts allow the surrounds to be inserted into the header.



The bottoms of the surrounds are mitered to prevent water infiltration. For each side, use a combination square to draw a 45° line from the outer corner. Cut the surround along this line. Trim the receiving channel to match the angle, leaving a 1-7/8" tab as shown in Figure 3.

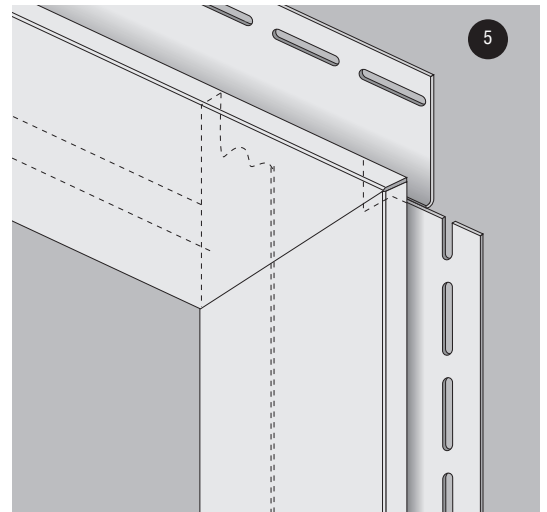


Measure and cut the bottom surround. Cut the bottom surround so it's the same length as the header. To allow side surround to overlap at corners, make cuts 4 and 5 from top of surround and from nail hem, as shown in Figure 4.



Install all trim pieces. Join the header to the top piece of finish trim (the proper technique is described in the TIP on the following page). Nail every 8" to 10" on center. Insert the side surrounds into finish trim. Push up into header. Start nailing at upper point of top nailing slot. Work down, nailing every 8" to 10", centering nails in slots.

Run a caulk bead along top of miter joints.



Fit the bottom surround into the mitered corners of side surrounds. Fold tabs on mitered corners over the bottom surround, as shown in Figure 6.



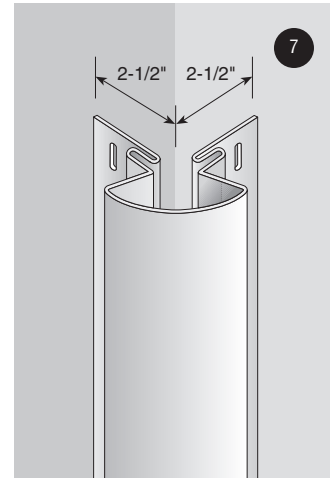
INSTALLING 3-PIECE BEADED CORNER POSTS

To install the 3-piece beaded corner posts

Measure length of corner, then subtract allowance for expansion and contraction. Cut corner post starter strip to this dimension.

To ensure proper alignment of the starter strip, mark points 2-1/2" from the corner intersection, as shown in Figure 7. Use your chalk line as a plumb, snapping lines from both points along the full length of the corner board. Use these lines to position nail hems.

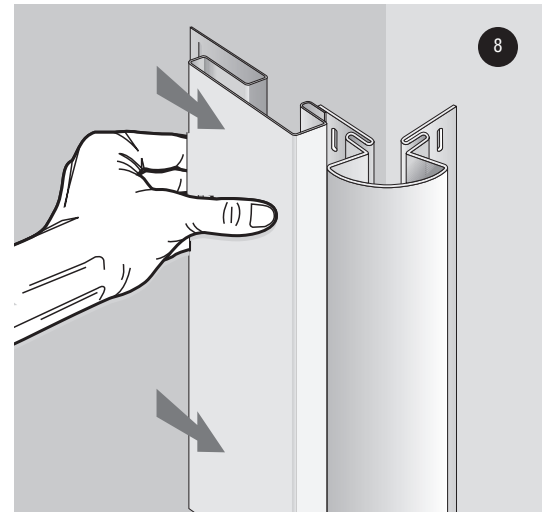
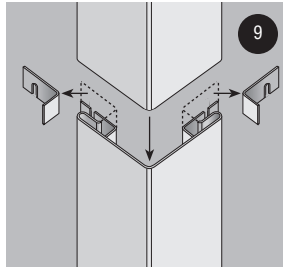
Nail starter strip in place, starting from the top and working down. Position first nail at uppermost point of first nail slot. Remaining nails should be centered in slots, spaced about 8" to 10" apart.



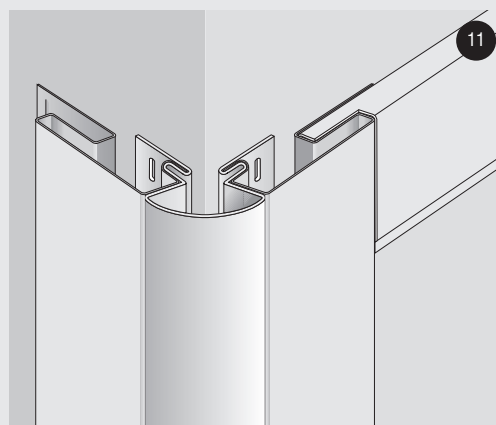
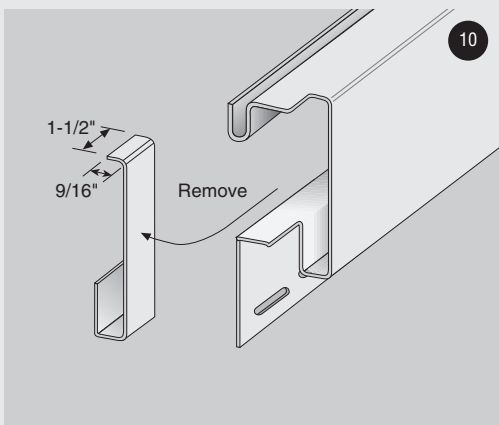
If necessary, cut surrounds to length. Then insert into starter strip. Nail from top down, as described above. If TrimEssentials by Gentek corner posts must be joined for walls higher than 20', use the lapping technique described below.

Cut 1" from nail flanges and receiving channels at the top of the lower post (Figure 9).

Insert lower post into upper post, allowing a **minimum 3/4" overlap**. The overlap allows room for contraction and reduces the likelihood of water infiltration behind the joint.



TIP: Here's an easy way to create a frieze when a window abuts a 5" outside corner post. The technique can be used with either 3-1/2" or 5" surrounds. First cut away a 1-1/2" section of the surround face (Figure 10). That cut includes a 9/16" deep section on the lock side of the surround and the upper portion of the channel on the nail flange side. **Do not remove the channel bottom.** To complete the installation, slide the frieze into the corner post and nail.



A 1-piece beaded corner is also available for a quicker installation.

INSTALLING BELLY BAND

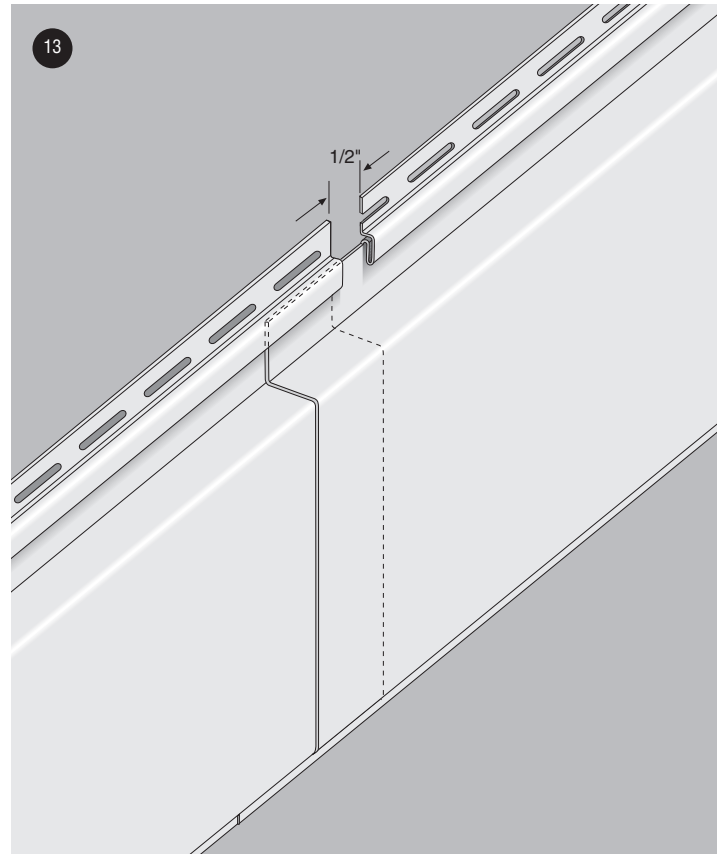
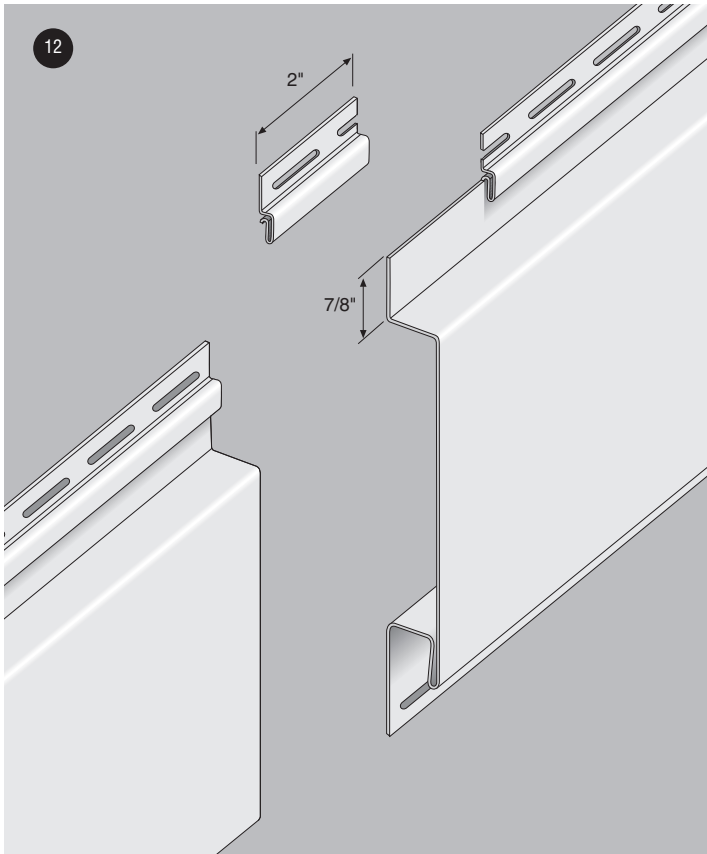
Today's homeowners often want more than a standard vinyl siding installation. They're looking for decorative accents that give homes special distinction. Here's an easy way to create the look of a custom installation—Gentek's 6" belly band accessory.

You can use a belly band in a number of different ways—as a starter course; as a frieze board above doors and windows and at the top most section of a wall; and as a transitional element between levels of a home or between dissimilar siding materials.

SPLICING BELLY BAND PIECES

Belly band panels are shipped in 20' lengths. In some installations, however, two or more panels will have to be joined to create the required band board. To produce a strong and attractive splice, follow these two easy steps:

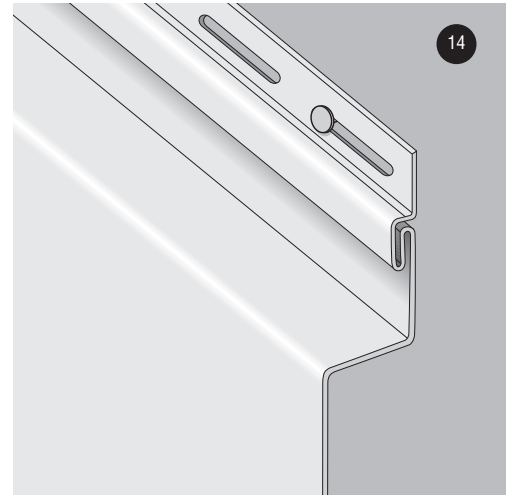
1. Remove a 2" section of the upper nail hem on the first panel. Lap this panel over the second panel, pushing the panels together until a 1/2" gap remains at the nail hem.
2. Trim pieces as needed to produce a tight lap.



NAILING BELLY BAND PANELS

To ensure the best possible installation—as well as lasting quality—nail belly band panels so expansion is forced away from corners. To do that, position nails at corners to prevent movement into the corners. For example, for a belly band panel inserted into a corner on the left, position a nail on the far left end of the first nail slot at the corner (Figure 14). This will prevent the panel from pushing into the corner.

Be sure to position all other nails in the **center** of the nailing slots.



INSTALLATION TECHNIQUES

Use the following instructions as a guide when installing belly band panels in these accent applications:

AS A STARTER BOARD

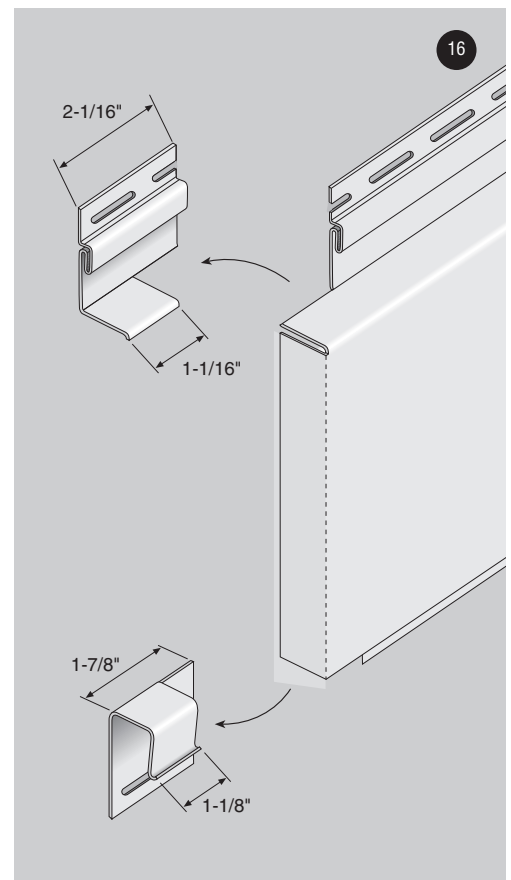
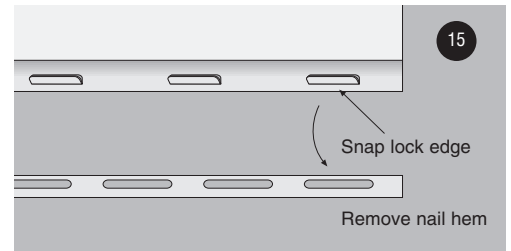
1. After checking to be sure the panel is square, trim the lower nail hem to remove the nail holes. Use a snap lock tool to create tabs to fit into the finish trim.
2. When working at inside and outside corners, trim the nail hems at top and bottom if needed to allow easy fit.

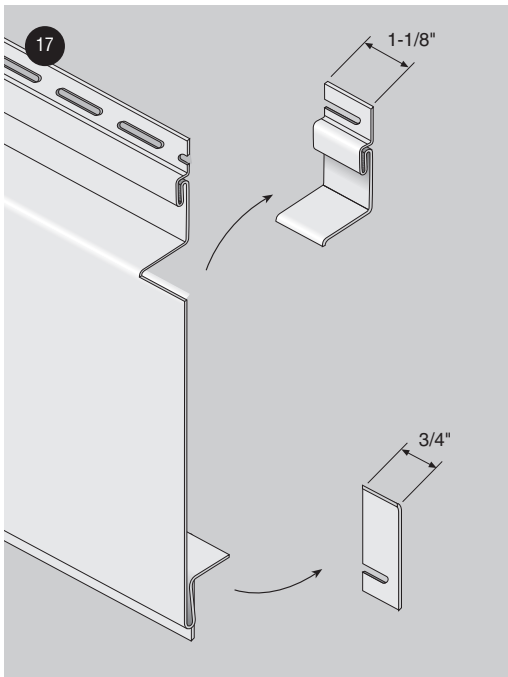
AT OUTSIDE CORNERS

An outside corner installation requires two pieces.

To create the first piece

1. After checking to be sure the end of the panel is square, make a $1\text{-}\frac{7}{8}$ " cut at the nail hem on the pocket side. Then make a $1\text{-}\frac{1}{8}$ " cut on the face of the pocket edge. Remove the completed pocket (see Figure 16 showing all dimensions and cut points). Cut the nail hem, but be sure to leave the pocket bottom.
2. Cut the nail hem $2\text{-}\frac{1}{16}$ " from the edge and remove as shown in Figure 16. Cut the face at the corner $1\text{-}\frac{1}{16}$ " from the edge and remove. Lay the product face down and score lightly 1" from the edge. Be sure to use a utility knife and a straight edge. Fold the face back 90° to create a tab.
3. Lightly score the back of the panel face with a utility knife 1" from the edge. Fold the face back at the score line until a 90° tab is formed.



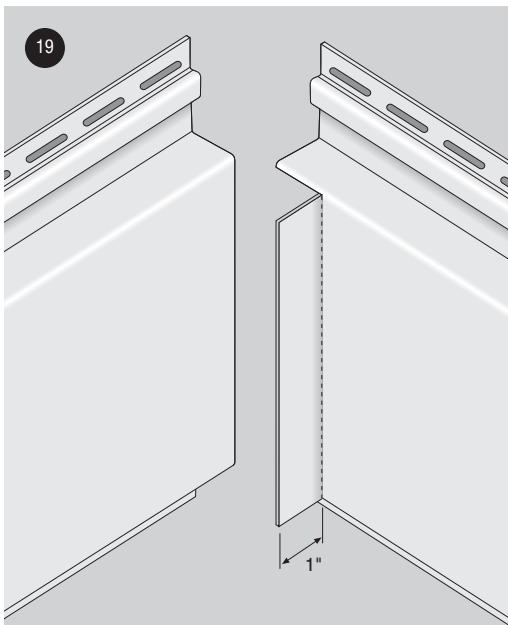
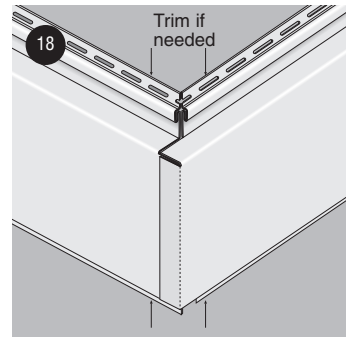


To create the second part of the outside corner

4. After checking to be sure the panel end is square, cut down from top lock 1-1/8" and remove. Cut pocket and remove 3/4" of nail hem (see Figure 17).

To install the pieces

5. Trim the nail hems at top and bottom if needed to allow easy fit at corner post. Insert the tab created in Step 3 behind the face of the part created in Step 4. Before nailing in place, install flashing—for example, 6" x 6" coil stock—at the corner splice to reduce water infiltration.



AT INSIDE CORNERS

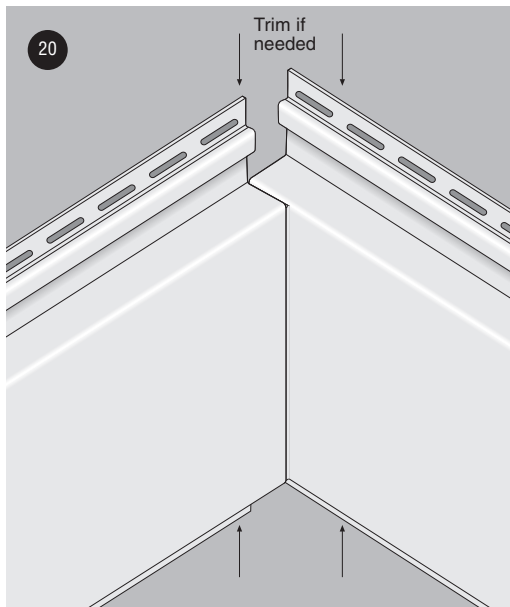
An inside corner installation also requires two pieces.

To create the first piece

1. Check panel end for square. Make 1" cuts along the top and bottom of the face (see Figure 19). Lightly score a line on the back of the panel 1" from the panel end. Fold the face out to create a 90° tab.

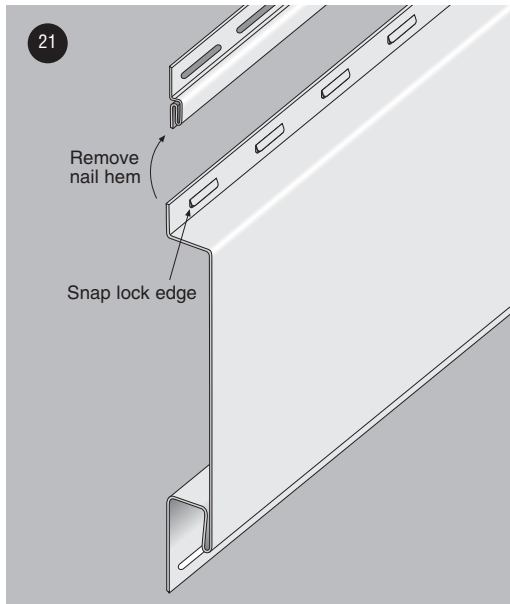
To create the second piece

2. The second piece does not require cutting. Just be sure the panel end is square.



To install the inside corner

3. Insert the tab created on part one behind part two. Trim the nail hems if needed to allow easy fit at corner post. Before nailing in place, install flashing—for example, 6" x 6" coil stock—at the corner splice to reduce water infiltration.



AS A FRIEZE BOARD

Cut the top nail hem at the lock edge. This allows the lock edge to be inserted into the finish trim. Use a snap lock tool to create tabs for use with finish trim.



GENTEK BUILDING PRODUCTS, INC.
 P.O. Box 110 • Akron, Ohio 44309
www.gentekinc.com

Make us a part of your home.